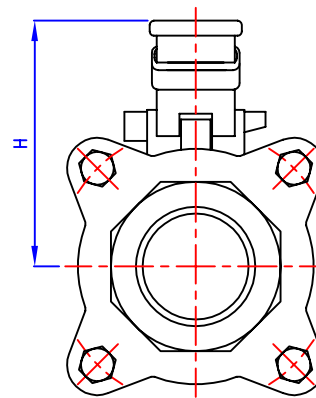
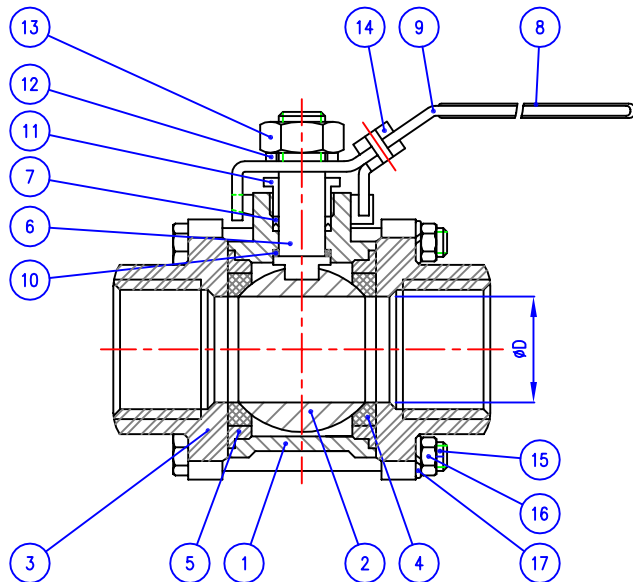


SIZE	C	ØD	E	H	L	ØG	P	WEIGHT (LBS)
1/4"	0.20	0.46	4.02	2.13	2.23	0.56	0.39	0.79
3/8"	0.20	0.50	4.02	2.13	2.23	0.69	0.39	0.75
1/2"	0.26	0.59	5.20	2.50	2.59	0.85	0.39	1.17
3/4"	0.26	0.79	5.20	2.64	3.00	1.07	0.51	1.54
1"	0.31	0.98	6.57	2.93	3.39	1.33	0.51	2.25
1-1/4"	0.31	1.26	6.57	3.16	4.05	1.69	0.51	3.57
1-1/2"	0.38	1.50	7.56	3.52	4.70	1.92	0.51	5.31
2"	0.38	1.97	7.56	3.85	5.17	2.40	0.63	8.07
2-1/2"	0.47	2.56	9.92	5.39	6.46	3.02	0.63	16.20
3"	0.47	3.15	9.92	5.79	7.19	3.54	0.63	22.51
4"	0.59	3.94	11.10	6.87	9.28	4.55	0.79	45.77

ALL DIMENSIONS ARE IN INCHES *



ITEM	QTY	ITEM DESCRIPTION	ITEM MATERIAL	REFERENCE or NOTES
1	1	BODY	CF8M	-
2	1	BALL	316 STAINLESS STEEL	-
3	2	END CAP	CF8M	-
4	2	SEAT	PTFE	-
5	2	BODY SEAL	PTFE	-
6	1	STEM	316 STAINLESS STEEL	-
7	1 SET	STEM PACKING	PTFE	-
8	1	HANDLE	304 STAINLESS STEEL	-
9	1	HANDLE COVER	PLASTIC	-
10	1	THRUST WASHER	PTFE	-
11	1	GLAND NUT	304 STAINLESS STEEL	-
12	1	HANDLE WASHER	304 STAINLESS STEEL	-
13	1	HANDLE NUT	304 STAINLESS STEEL	-
14	1	LOCKING PAD	304 STAINLESS STEEL	-
15	4~6	BOLT	304 STAINLESS STEEL	-
16	4~6	BOLT NUT	304 STAINLESS STEEL	-
17	4~6	BOLT WASHER	304 STAINLESS STEEL	-

F	---	---	---	---	 TRUeline_® Valve Corporation
E	---	---	---		
D	---	---	---	---	
C	---	---	---	---	
N650T STAINLESS STEEL BALL VALVE ASSEMBLY 3-PIECE - FULL BORE - 1000 WOG					
B	---	---	---	---	DRAWN BY M. KALITA DATE 03/21/02 SCALE N.T.S. APPROVED BY DATE SHEET 1 OF 1
A	ADDED SOCKET WELD DETAIL	MJK	04/24/02		
LET	REVISION	BY	DATE	MATERIAL	DWG No. TL1714B REV A

REFERENCE: V-205T-D REVISION 01