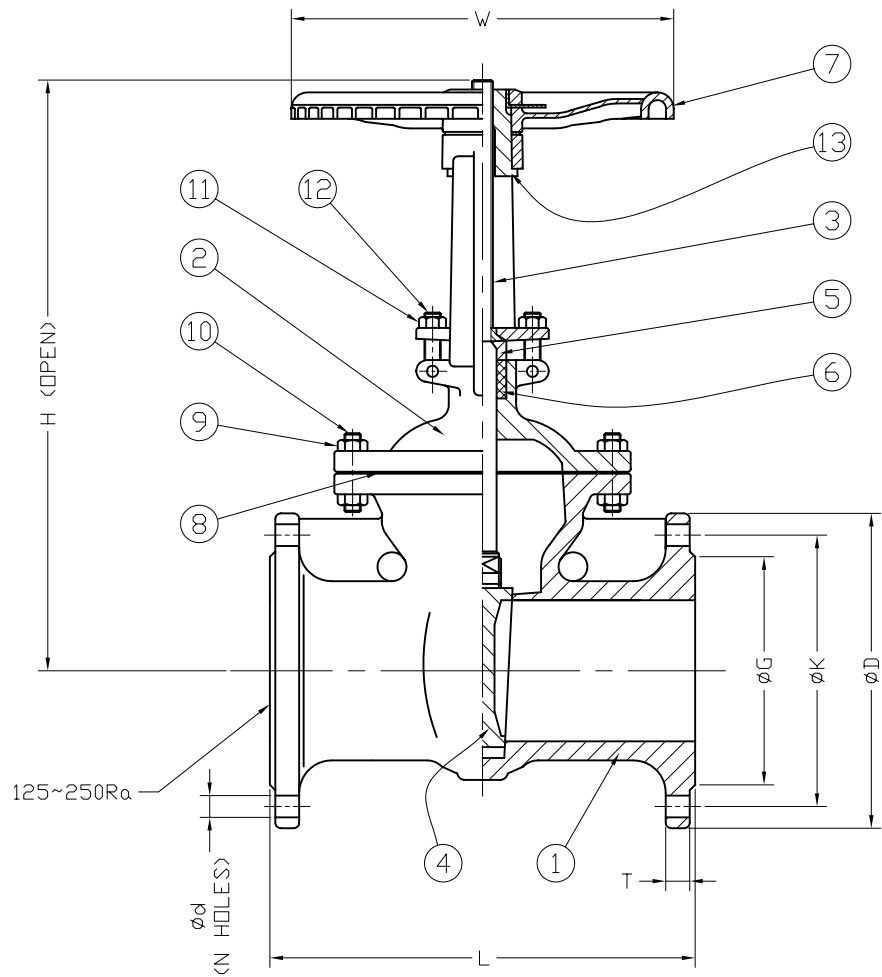


De Programme :
 Valve(s) :
 Temp. de Machinage. :



NOTE: ALL DIMENSIONS ARE IN INCHES & MILLIMETERS
 FACE TO FACE DIMENSIONS: ANSI B16.10
 SHELL WALL THICKNESS: ANSI B16.34 MSS SP-42
 END FLANGE DIMENSIONS: ANSI B16.5

	SIZE	W	L	H	ØD	ØK	ØG	T	Ød	N
IN	2"	7.87	8.50	18.11	6.50	5.00	3.63	0.88	0.75	8
mm	50.0	200.0	216.0	460.0	165.1	127.0	92.1	22.3	19.1	8
IN	2-1/2"	7.87	9.50	19.69	7.50	5.88	4.15	1.00	0.88	8
mm	65.0	200.0	241.3	500.0	190.5	149.2	105.5	25.4	22.2	8
IN	3"	8.82	11.13	21.25	8.25	6.63	5.00	1.12	0.88	8
mm	80.0	224.0	282.6	540.0	209.6	168.3	127.0	28.4	22.2	8
IN	4"	9.82	12.00	25.19	10.00	7.88	6.19	1.25	0.88	8
mm	100.0	250.0	305.0	640.0	254.0	200.0	157.2	31.8	22.2	8
IN	6"	14.00	15.88	34.25	12.50	10.63	8.50	1.44	0.88	12
mm	150.0	355.6	403.2	870.0	317.5	270.0	215.9	36.5	22.2	12
IN	8"	15.75	16.50	41.13	15.00	13.00	10.63	1.62	0.88	12
mm	200.0	400.0	419.0	1045.0	381.0	330.0	270.0	41.1	22.2	12
IN	10"	17.72	18.00	48.81	17.5	15.25	12.75	1.88	1.13	16
mm	250.0	450.0	457.2	1240.0	444.5	387.3	324.0	47.6	28.6	16
IN	12"	19.69	19.75	56.10	20.50	17.75	15.00	2.00	1.25	16
mm	300.0	500.0	502.0	1425.0	520.7	450.8	381.0	50.8	31.80	16
IN	14"	24.80	30.00	62.4	23.00	20.25	16.75	2.12	1.25	20
mm	350.0	630.0	762.0	1585.0	584.2	514.4	425.5	53.8	31.8	20
IN	16"	24.80	33.00	77.17	25.5	20.38	19.00	2.25	1.38	20
mm	400.0	630.0	838.2	1960.0	647.7	517.5	482.6	57.1	35.0	20
IN	18"	27.94	35.98	84.84	28.00	24.75	21.00	2.38	1.38	24
mm	450.0	710.0	914.0	2155.0	711.2	628.6	533.4	60.4	35.0	24
IN	20"	31.50	39.00	92.50	30.50	27.00	23.12	2.50	1.38	24
mm	500.0	800.0	990.6	2350.0	774.7	685.8	587.2	63.5	35.0	24
IN	24"	35.43	45.00	107.09	36.00	32.00	27.62	2.75	1.61	24
mm	600.0	900.0	1143.0	2720.0	914.4	812.8	701.5	69.9	41.0	24

13	1	YOKE SLEEVE	BRONZE			
12	SET	GLAND STUD	304 STAINLESS STEEL			
11	SET	GLAND NUT	304 STAINLESS STEEL			
10	SET	BONNET STUD	304 STAINLESS STEEL			
9	SET	BONNET NUT	304 STAINLESS STEEL			
8	1	GASKET	304 Sst. + GRAFOIL			
7	1	HANDWHEEL	FC25	--		
6	SET	GLAND PACKING	PTFE	--		
5	1	GLAND	ASTM A351 Gr. CF8M	--		
4	1	DISC	ASTM A351 Gr. CF8M	--		
3	1	STEM	316 STAINLESS STEEL			
2	1	BONNET	ASTM A351 Gr. CF8M			
1	1	BODY	ASTM A351 Gr. CF8M			
ITEM	QTY	PART DESCRIPTION	MATERIAL SPECIFICATION	REFERENCE / NOTES		
F						
E						
D						
C						
B			DRAWN BY: FX	DATE: 01/03/2005	SCALE: NTS	
A	----	-	APPROVED BY: MDA	DATE: 01/06/2005	SHEET: 1 OF: 1	
LET	REVISION	BY	DATE	MAT'L	DWG No.	REV
A _P D	C _H K			CAST Sst.	TL2482B	—

TRUELINE
 Valve Corporation

TITLE 2"-24" FIG. N-536B FLANGED GATE VALVES
 - STAINLESS STEEL, ANSI CLASS 300

DRAWN BY: FX DATE: 01/03/2005 SCALE: NTS
 APPROVED BY: MDA DATE: 01/06/2005 SHEET: 1 OF: 1

MAT'L CAST Sst. DWG No. TL2482B REV —