

Fig No: V-658

MATERIALS LIST

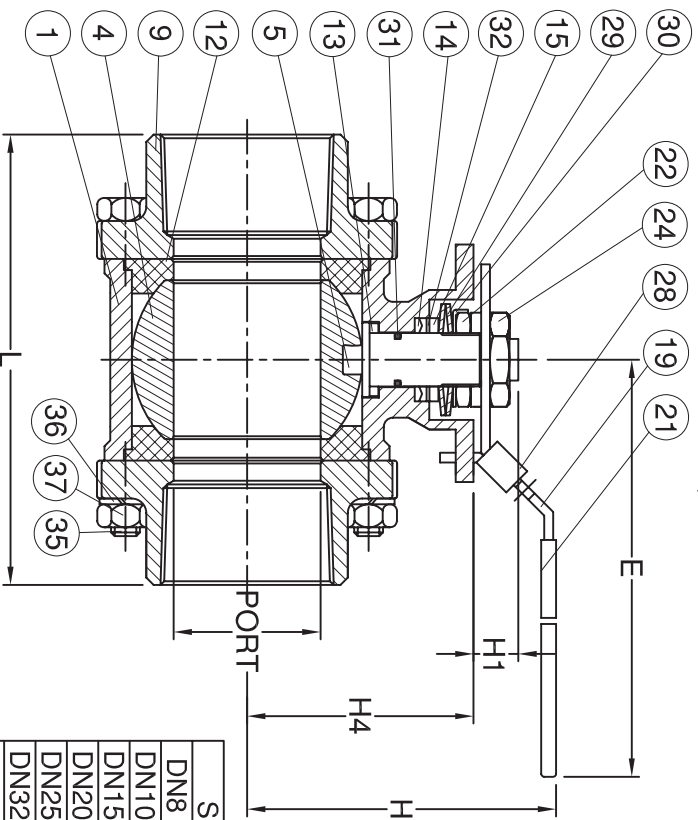
NO.	PART NAME	MATERIAL
1	BODY	ASTM A351 Gr.CF8M
4	BALL	ASTM A351 Gr.CF8M
5	STEM	SS316
9	END CAP	ASTM A351 Gr.CF8M
12	SEAT	RTFE.
13	THRUST WASHER	PTFE.
14	STEM PACKING	PTFE.
15	GLAND BUSH	SS304
19	HANDLE	SS304
21	HANDLE COVER	PLASTIC
22	STEM NUT	SS304
24	HANDLE NUT	SS304
28	LOCK DIVCE	SS304
29	BELLEVILLE WASHER	SS304-CSP
30	TAB WASHER	SS304
31	O-RING	VITON
32	PACKING FOLLOWER	PTFE.+25%G.F.
35	BODY BOLT	SS304
36	BOLT WASHER	SS304
37	BOLT NUT	SS304

DIMENSIONS

SIZE	PORT	L	L1	E	H	H1	H4	C	ØK	ØK1	Z	Z1	M1	
DN8	1/4"	11.5	63.5	22.5	112.0	73.0	8.5	37.0	9.0	50.0	36.0	7.0	6.0	4
DN10	3/8"	12.5	63.5	22.5	112.0	73.0	8.5	37.0	9.0	50.0	36.0	7.0	6.0	4
DN15	1/2"	15.0	63.5	22.5	112.0	73.0	8.5	37.0	9.0	50.0	36.0	7.0	6.0	4
DN20	3/4"	20.0	72.5	27.5	112.0	80.8	8.5	45.0	9.0	50.0	36.0	7.0	6.0	4
DN25	1"	25.0	81.0	34.0	136.0	90.5	11.4	53.5	9.0	50.0	36.0	7.0	6.0	4
DN32	1-1/4"	32.0	94.5	42.5	185.0	98.7	11.4	59.0	9.0	50.0	36.0	7.0	6.0	4
DN40	1-1/2"	38.0	108.0	52.0	197.9	115.3	14.0	74.8	14.0	70.0	50.0	9.0	7.0	4
DN50	2"	50.0	121.5	63.5	197.9	124.0	13.7	83.5	14.0	70.0	50.0	9.0	7.0	4
DN65	2-1/2"	65.0	157.5	85.5	267.0	155.0	18.0	108.8	17.0	102.0	70.0	11.0	9.0	4
DN80	3"	80.0	190.0	102.0	267.0	208.5	18.0	118.3	17.0	102.0	70.0	11.0	9.0	4
DN100	4"	100.0	225.0	128.5	322.0	216.7	18.0	153.8	17.0	102.0	70.0	11.0	9.0	4

unit:mm

WORKING PRESSURE: 1/4"-2" 1000PSI
2-1/2"-4" 800PSI



CODE	P-005	APPROVED BY:	CHECK BY:	DRAWN BY:	DRAWINGNO.	MATERIAL	UNIT	DESCRIPTION
------	-------	--------------	-----------	-----------	------------	----------	------	-------------



SIGN	MICHAEL	SHANA	MARY	V-158T-P005	MATERIALS LIST	mm	THREE PIECES BALL VALVES, THREADED END, ISO5211 DIRECT MOUNTING PAD, FULL BORE, 1000 / 800 PSI
DATE	07/20/2009	07/20/2009	07/20/2009	REVISION	02	SCALE	FREE