

Fig No. N658

1/4" ~ 4"

DN8 ~ 100



Features :

- Investment cast component
- ISO 5211 direct mount
- Blow out proof stem
- Live loaded Packing
- Locking nut washer
- For General Chemical and Industrial application

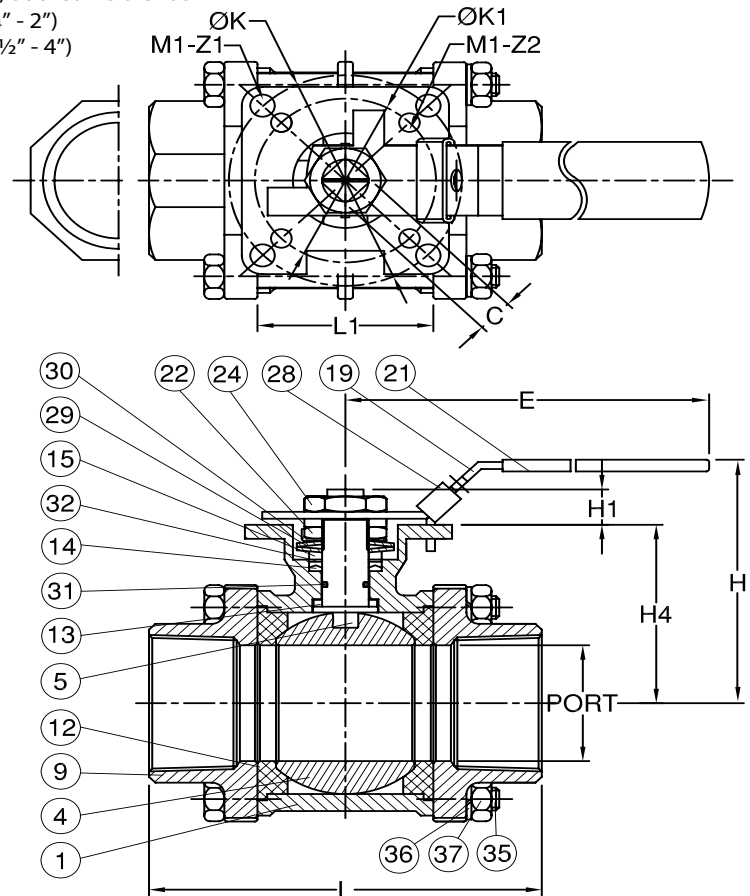
Standard Compliance :

- Body wall thickness : EN 12516-1/2/3
- Threded end : BS 21 (BSP)
- BSPT
- ISO 228-1G
- DIN 2999
- ISO 7-1Rp

- Face to Face : MFG's standard
- Body Material : EN1503-1
- Pressure Testing: EN12266

Specification :

- End Connection : Threaded end, Socket weld ends
- Working pressure : 63 Bar for (1/4" - 2")
- 40 Bar for (2 1/2" - 4")
- Temperature : -20°C ~ 180°C



MATERIALS LIST

NO.	PART NAME	MATERIAL
1	BODY	ASTM A351 Gr.CF8M
4	BALL	ASTM A351 Gr.CF8M
5	STEM	SS316
9	END CAP	ASTM A351 Gr.CF8M
12	SEAT	RTFE
13	THRUST WASHER	PTFE
14	STEM PACKING	PTFE
15	GLAND BUSH	SS304
19	HANDLE	SS304
21	HANDLE COVER	PLASTIC
22	STEM NUT	SS304
24	HANDLE NUT	SS304
28	LOCK DEVICE	SS304
29	BELLEVILLE WASHER	SS304-CSP
30	TAB WASHER (LOCK)	SS304
31	O-RING	VITON
32	PACKING FOLLWER	PTFE +25%G.F.
35	BODY BOLT	SS304
36	BOLT WASHER	SS304
37	BOLT NUT	SS304

DIMENSIONS

SIZE	PORT	L	L1	E	H	H1	H4	C	φK	φK1	Z1	Z2	M1	Cv	
DN8	1/4"	0.45"	2 1/2"	0.89"	4.41"	2.87"	0.33"	1.46"	0.35"	1.97"	1.42"	0.28"	0.24"	4	20
DN10	3/8"	0.49"	2 1/2"	0.89"	4.41"	2.87"	0.33"	1.46"	0.35"	1.97"	1.42"	0.28"	0.24"	4	25
DN15	1/2"	0.59"	2 1/2"	0.89"	4.41"	2.87"	0.33"	1.46"	0.35"	1.97"	1.42"	0.28"	0.24"	4	37
DN20	3/4"	0.79"	2.85"	1.08"	4.41"	3.18"	0.33"	1.77"	0.35"	1.97"	1.42"	0.28"	0.24"	4	68
DN25	1"	0.98"	3.19"	1.34"	5.35"	3.56"	0.45"	2.11"	0.35"	1.97"	1.42"	0.28"	0.24"	4	110
DN32	1 1/4"	1.26"	3.72"	1.67"	7.28"	3.88"	0.45"	2.32"	0.35"	1.97"	1.42"	0.28"	0.24"	4	185
DN40	1 1/2"	1.49"	4.25"	2.05"	7.79"	4.54"	0.55"	2.94"	0.55"	2.76"	1.97"	0.35"	0.28"	4	267
DN50	2"	1.97"	4.78"	2.5"	7.79"	4.88"	0.54"	3.29"	0.55"	2.76"	1.97"	0.35"	0.28"	4	485
DN65	2 1/2"	2.56"	6.2"	3.37"	10.51"	6.1"	0.71"	4.28"	0.67"	4.02"	2.76"	0.43"	0.35"	4	843
DN80	3"	3.15"	7.48"	4.02"	10.51"	8.21"	0.71"	4.66"	0.67"	4.02"	2.76"	0.43"	0.35"	4	1276
DN100	4"	3.94"	8.86"	5.06"	12.68"	8.53"	0.71"	6.06"	0.67"	4.02"	2.76"	0.43"	0.35"	4	2052