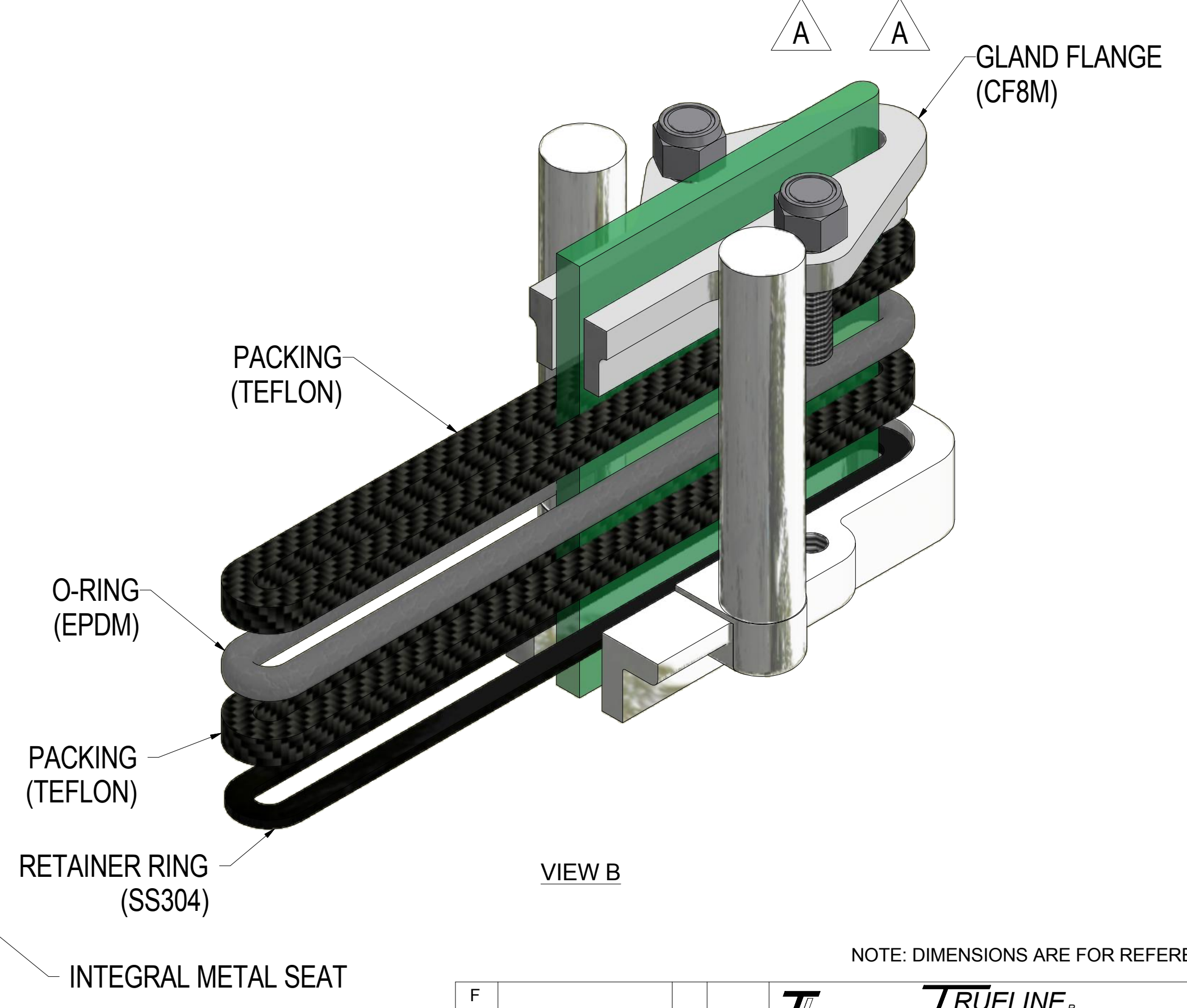


SIZE		3					2				1			
		A	B	ØC	ØD	ØE	F	G	H1	H2	ØK	L	M	WEIGHT
2	IN	1.88	0.5	1.89	3.62	11.02	4	5/8"-11	10.66	12.83	4.75	0.51	2	13
	MM	48	13	48	92	280			271	326	121	13		6
3	IN	2	0.5	2.7	5	11.02	4	5/8"-11	12.79	16.18	6	0.47	2	23
	MM	51	13	69	127	280			325	411	152	12		10
4	IN	2	0.63	3.62	6.19	11.02	8	5/8"-11	14.64	18.81	7.5	0.39	2	30
	MM	51	16	92	157	280			372	478	191	10		14
6	IN	2.25	0.63	5.51	8.5	11.02	8	3/4"-10	17.95	24.05	9.5	0.51	2	52
	MM	57	16	140	216	280			456	611	241	13		24
8	IN	2.75	0.63	7.2	10.62	11.81	8	3/4"-10	23.78	31.81	11.75	0.71	2	93
	MM	70	16	183	270	300			604	808	298	18		42
10	IN	2.75	0.75	9.02	12.75	11.81	12	7/8"-9	25.7	35.7	14.25	0.71	4	120
	MM	70	19	229	324	300			653	907	362	18		54
12	IN	3	0.75	11.26	15	13.98	12	7/8"-9	31.61	43.7	17	0.71	4	185
	MM	76	19	286	381	355			803	1110	432	18		84
14	IN	3	0.81	13.08	16.75	15.75	12	1"-8	39.84	53.07	18.75	0.63	4	312
	MM	76	21	332	425	400			1012	1348	476	16		142
16	IN	3.5	1.05	14.81	19.01	19.69	16	1"-8	45.995	61.548	21.25	0.91	6	411
	MM	89	27	376	483	500			1168	1563	540	23		186
18	IN	3.5	1.05	16.46	21	19.69	16	1 1/8"-7	48.03	65.39	22.75	0.75	6	489
	MM	89	27	418	533	500			1220	1661	578	19		222
20	IN	4.5	1.24	18.35	23	23.62	20	1 1/8"-7	56.293	75.711	25	1.1	8	701
	MM	114	31	466	584	600			1430	1923	635	28		318
24	IN	4.5	1.24	22	27.25	28.35	20	1 1/4"-7	67.204	90.512	29.5	0.98	8	1000
	MM	114	31	559	692	720			1707	2299	749	25		454
30	IN	4.5	1.44	27.5	33.75	28.35	28	1 1/4"-7	74.034	102.834	36	0.98	10	1500
	MM	114	37	699	857	720			1880	2612	914	25		680
36	IN	5	1.56	33.5	40.26	36	32	1 1/2"-6	87.856	123.252	42.75	0.98	12	2500
	MM	127	40	851	1023	914			2232	3131	1086	25		1134
42	IN	5	1.63	38.75	47	36	36	1 1/2"-6	114.5	154.25	49.5	1.2	14	3700
	MM	127	41	984	1194	914			2908	3918	1257	30		1678
48	IN	6	2	43.5	53.5	36	44	1 1/2"-6	134.38	178.88	56	1.22	16	5000
	MM	152	51	1105	1359	914			3413	4544	1422	31		2268



NOTE: DIMENSIONS ARE FOR REFERENCE ONLY

F															
E															
D															
C															
B															
A	Dim. H1 & H2 revised	ND	09/04/14	APPROVED BY:	DATE:	3/18/13	SCALE:								
LET	REVISION	BY	DATE	MAT'L	AS PER ORDER	DWG No.	TLCUST8112-2MM-HW								
A <sub>P</sub> D	C <sub>H</sub> K														

TRUeline Valve Corporation MONTREAL QUEBEC

TITLE: 2"-48" F8112 2-way metal seated - Handwheel operated

SHEET: 1 OF 1

SHEET SIZE D